



TUNGSTEN GRINDER



FASTEST WAY TO IMPROVE YOUR TIG WELDING

The Sharpie™ portable tungsten grinder delivers on both quality and value. Consistently and safely grind the desired taper, cut tungsten, and add a tip flat to a tungsten electrode, without leaving the work table or job site.

Upgrades:

Select an anodized color combo:

- Bright Metallic Silver
- Auburn Red
- Black Ops
- Tungsten Grey

“Make it a Pro Kit” includes:

- Additional A-PTG-002A general purpose grinding wheel
- Arc Saber - Magnetic, sealed tungsten container
- .040” Collet
- Rugged storage case

Sold By:



www.arc-zone.com
sales@arc-zone.com
(760) 931-1500



ArcZone



@ArcZone



@Arc_Zone



ArcZoneVideos

Why Invest in a Sharpie™ portable tungsten grinder?

The #1 Reason: A smooth, consistent electrode taper is critical to laying down a high quality weld.

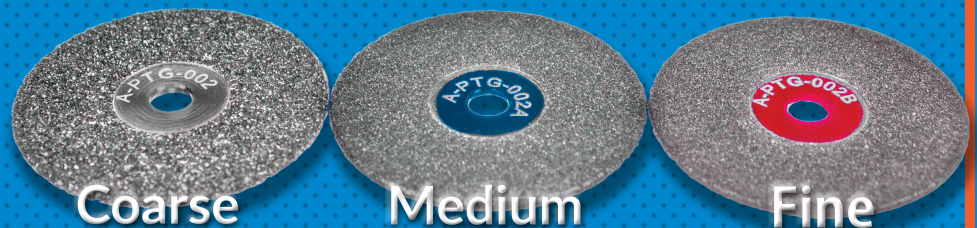
Performance: Sharpie™ is a globally recognized brand, delivering quick and consistent electrode grinds for snappy arc starts, better puddle control, and improved TIG weld quality.

Productivity: Sit down, finish the job, and stay in the Zone. Portable functionality reduces frequent stops & starts to head across the shop to sharpen tungsten.

Value: No other portable tungsten grinder offers a comparable electrode grind and machine quality. Serving welders for nearly 20 years, the Sharpie™ keeps getting better. Enhanced features are a direct result of feedback from veteran TIG welders.

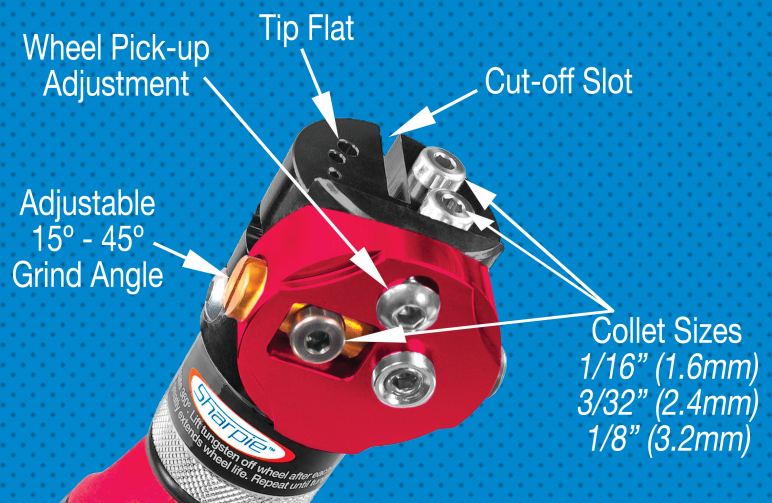
Three grinding wheel options:

- A-PTG-002 (Coarse)
- A-PTG-002A (Medium / Standard)
- A-PTG-002B (Fine / Premium)



Select the model that fits your needs and style:

- Multiple Anodized Color Combinations
- Fixed or Adjustable grinding head
 - Sharpie SD™ - Grind Angle Fixed at 20°
 - Sharpie DX™ - Grind Angle Adjustable 15° - 45°
- Cordless or Corded rotary tool motors, backed by 2 Year motor warranty
 - Milwaukee M12 Premium Cordless motor with charging station
 - Heavy-duty, extended use 48 Wh battery upgrade available
 - Black & Decker Corded RTX high-torque motor with soft grip
- Cut tungsten to length or remove contamination
- Grinds electrode sizes: 1/16", 3/32", 1/8" (1.6mm, 2.4mm, 3.2mm)
 - .040" (1.0mm) collet available
- Add a Tip Flat



High Quality Tool: Each Sharpie™ portable tungsten grinder is engineered, assembled, tested, and packaged with care by a U.S. Team of welding tool experts. The Sharpie™ is built to demanding specifications, using high quality, globally-sourced motors and machined parts from both international and local machine shops. Each grinder is designed to deliver years of service.

Maintenance Parts & Upgrades: There's nothing more frustrating than investing in a tool, only to learn that the manufacturer does not offer replacement parts. Sharpie™ maintenance kits, grinding wheels, head kits, collets, and other parts are available and affordably priced. Grinder refurbishment is offered on a case-by-case basis.